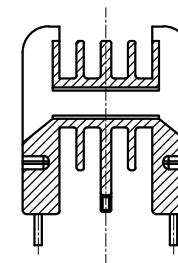
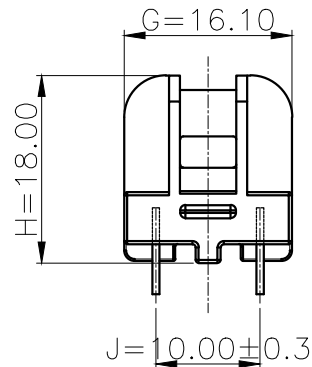
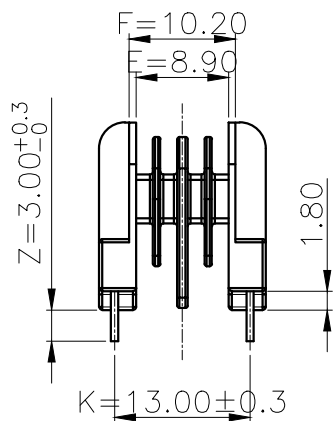
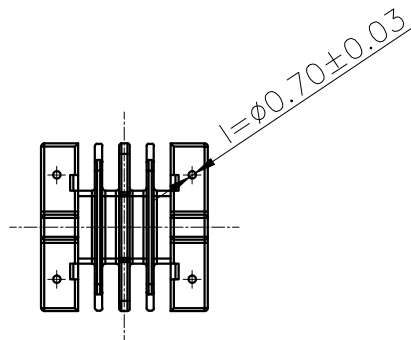


SECTION B-B

SECTION C-C



SECTION A-A



△							
△							
△							
△							
MARK	REVISION NOTE			DATE	DRAWN	CHECKED	APPROVED
	DRAWN	CHECKED	APPROVED	MATERIAL : PHENOL	UL REC. : UL94V-0	THIRD ANGLE PROJ.	SCALE : 1/1
	S H, Kim	G Y, Kim	C, Park	Z : PIN LENGTH (According to customer's request)	DATE : 2011.04.06	TOLERANCE : ±0.2 (Unless otherwise specified)	UNIT : m/m
	주식회사 대흥보빈 DAE HEUNG BOBBIN CO., LTD.			TITLE	DWC NO		
				UU 11*16 (4P) 4F (B)	DH-110509-1005-04		